

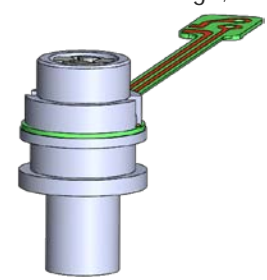
Fiber Tip VOA

(Protected by US patent 8,666,218 and other patents pending)

Product Description

The receptacle MEMS VOA is based on a micro-electro-mechanical mechanism featuring simple construction, high reliability, and excellent optical performance. It is available in either normally-open or normally-closed configurations. The receptacle MEMS VOA is driven by an electrical voltage; and the attenuation can be continuously adjusted.

It is designed for TOSA or ROSA. One end is ready for connector to plug in, and the other end is ready for mounting laser diode or photo detector.



Performance Specifications

Receptacle MEMS VOA	Min	Typical	Max	Unit
Wavelength	1260	1550	1620	nm
Insertion Loss ¹		0.1	0.3	dB
Attenuation Range	25			dB
Polarization Dependent Loss @ 10dB		0.1	0.2	dB
Wavelength Dependent Loss @ 10dB for 40nm bandwidth		0.2	0.5	dB
Temperature Dependent Loss @ 10dB		0.5	0.7	dB
Attenuation Resolution		Continuous		
Polarization Mode Dispersion		0.01	0.05	ps
Return Loss ¹	45			dB
Repeatability			0.1	dB
Response Time		3	6	ms
Driving voltage ²		4	5 ³	V
Power consumption ²		80	130	mW
Optical Power Handling		300	500	mW
Operating Temperature	-5		75	°C
Storage Temperature	-40		85	°C
Reliability		Telcordia 1209 and 1221		
Fiber Type		Corning SMF28 or equivalent		
Package Dimension		See drawing below		mm

Notes:

1. Excluding connector mis-matching
2. For full dynamic range. Other drive voltages available
3. Over this value will damage the device.

Features

- Compact
- Low Cost
- High Reliability
- Low IL, PDL, WDL & TDL
- Low Power Consumption

Applications

- Laser Power Control
- PD Receiving Power Adjust
- Channel Balance
- Instrumentation



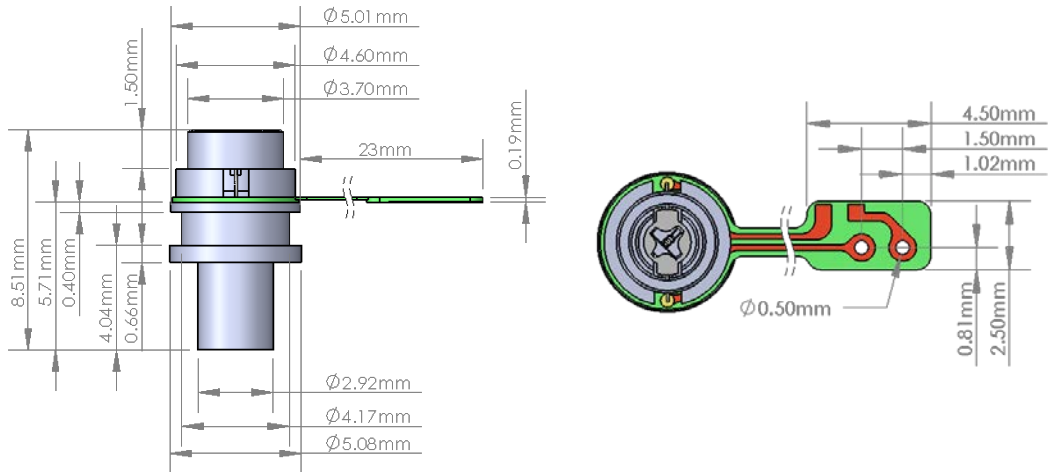
Revised on 5/24/21

Fiber Tip VOA

(patents pending)

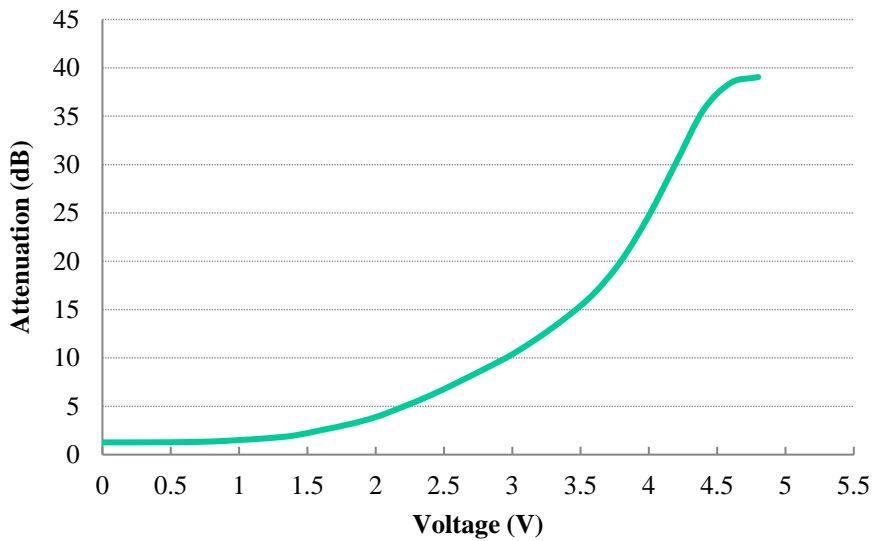


Mechanical Footprint Dimensions (mm)



*Product dimensions may change without notice. This is sometimes required for non-standard specifications.

VOA Performance



Fiber Tip VOA

(patents pending)

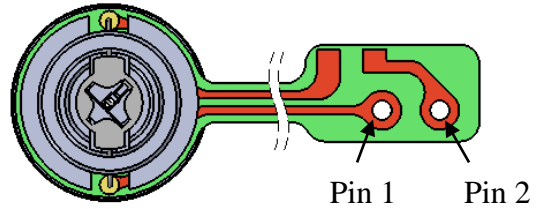


Electrical Driving Instruction

NOTES

- Pin1 and Pin2 are for control voltage
- Non-polarity device, reversible voltage
- Gap is for temperature compensation resistor
- Do not apply more than 4.5V.

All Pin diameter = .45mm



Ordering Information

RTOA-	<input type="checkbox"/> <input type="checkbox"/>	<input type="checkbox"/>	<input type="checkbox"/>	<input type="checkbox"/>	<input type="checkbox"/> <input type="checkbox"/> <input type="checkbox"/>	<input type="checkbox"/>
	Type	Wavelength	Off State	Package	Fiber	Plug in Connector Type
	Standard = 11 Special = 00	1310=3 1550 = 5 C+L=2 1260-1620= 8 Special = 0	Transparent=1 Opaque = 2	Standard=1 Special=0	SMF-28 = 111 Special = 000	LC = 7 Special = 0

